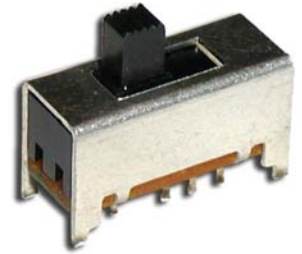


SPECIFICATIONS

Switch Function	DP3T
Electrical Ratings	200mA @ 30VDC
Electrical Life	10,000 cycles typical
Contact Resistance	< 50 mΩ initial
Actuation Force	250 +/- 100gF
Actuator Travel	2.0 mm per position 4.0 mm total
Dielectric Strength	1000Vrms min
Insulation Resistance	> 100MΩ min
Operating Temperature	-40°C to 85°C
Storage Temperature	-40°C to 85°C



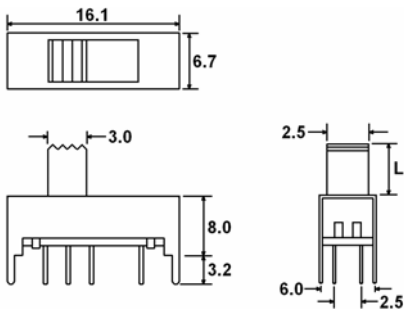
MATERIALS ←RoHS COMPLIANT

Actuator	Acetal
Housing	Steel
Base	Phenolic
Contacts	Phosphor Bronze, Silver Plated
Terminals	Brass, Silver Plated

ORDERING INFORMATION

1. Series:	MS2301	L6
MS2301		
2. Actuator Length:		
L3 = 3mm		
L4.5 = 4.5mm		
L6 = 6mm		
L9 = 9mm		
L12 = 12mm		

DIMENSIONS



SCHEMATIC & PC LAYOUT

